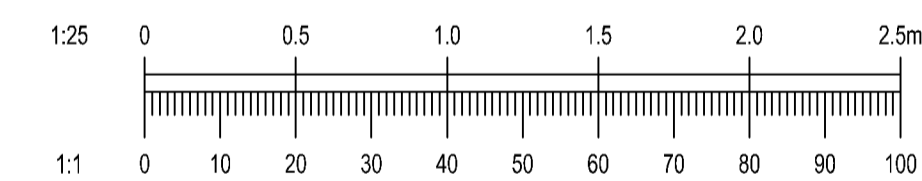
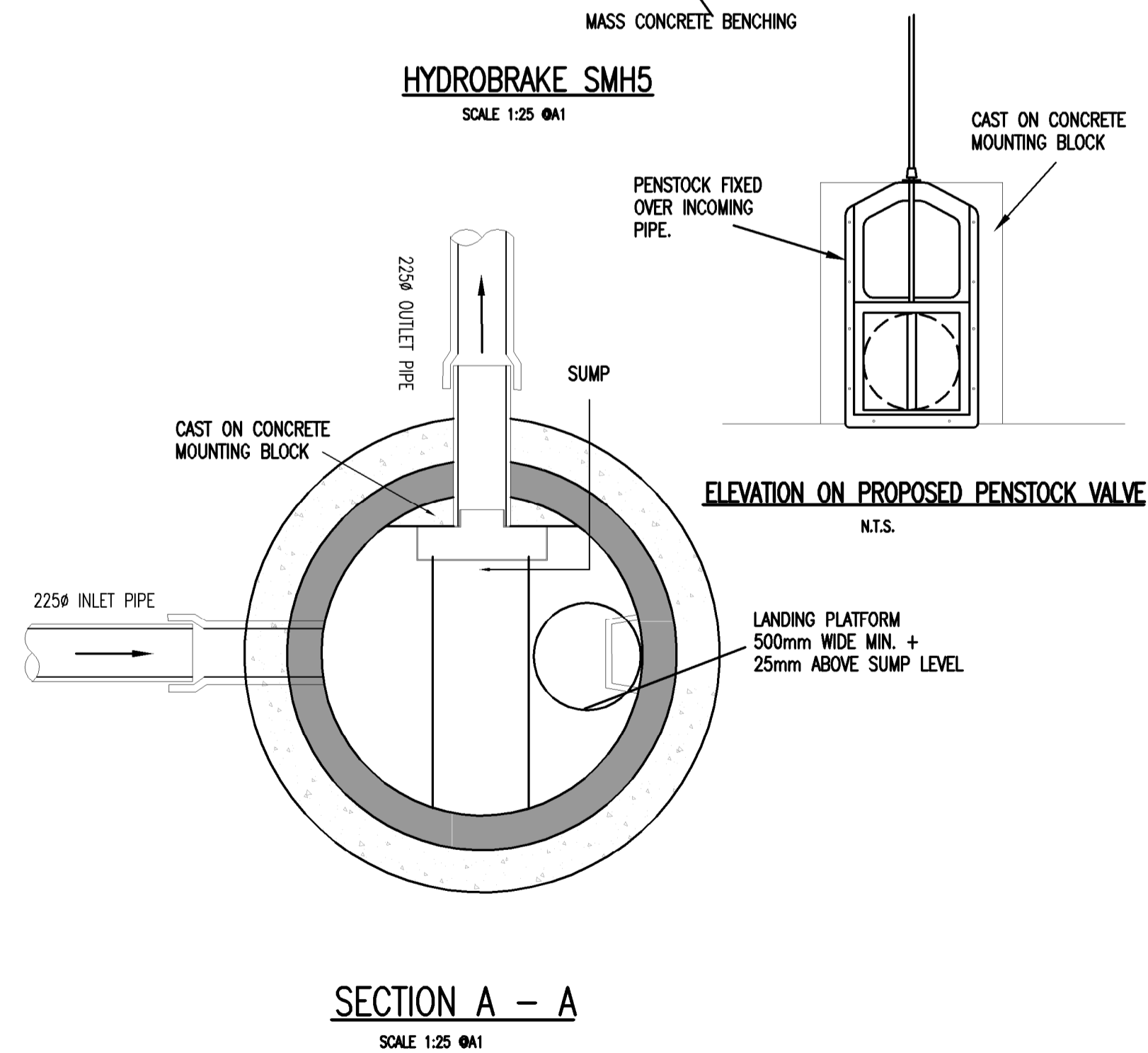
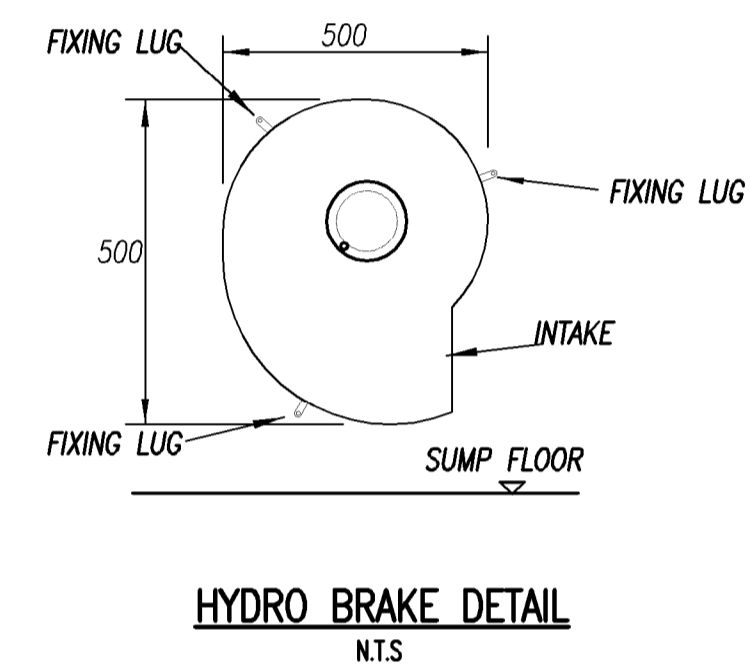
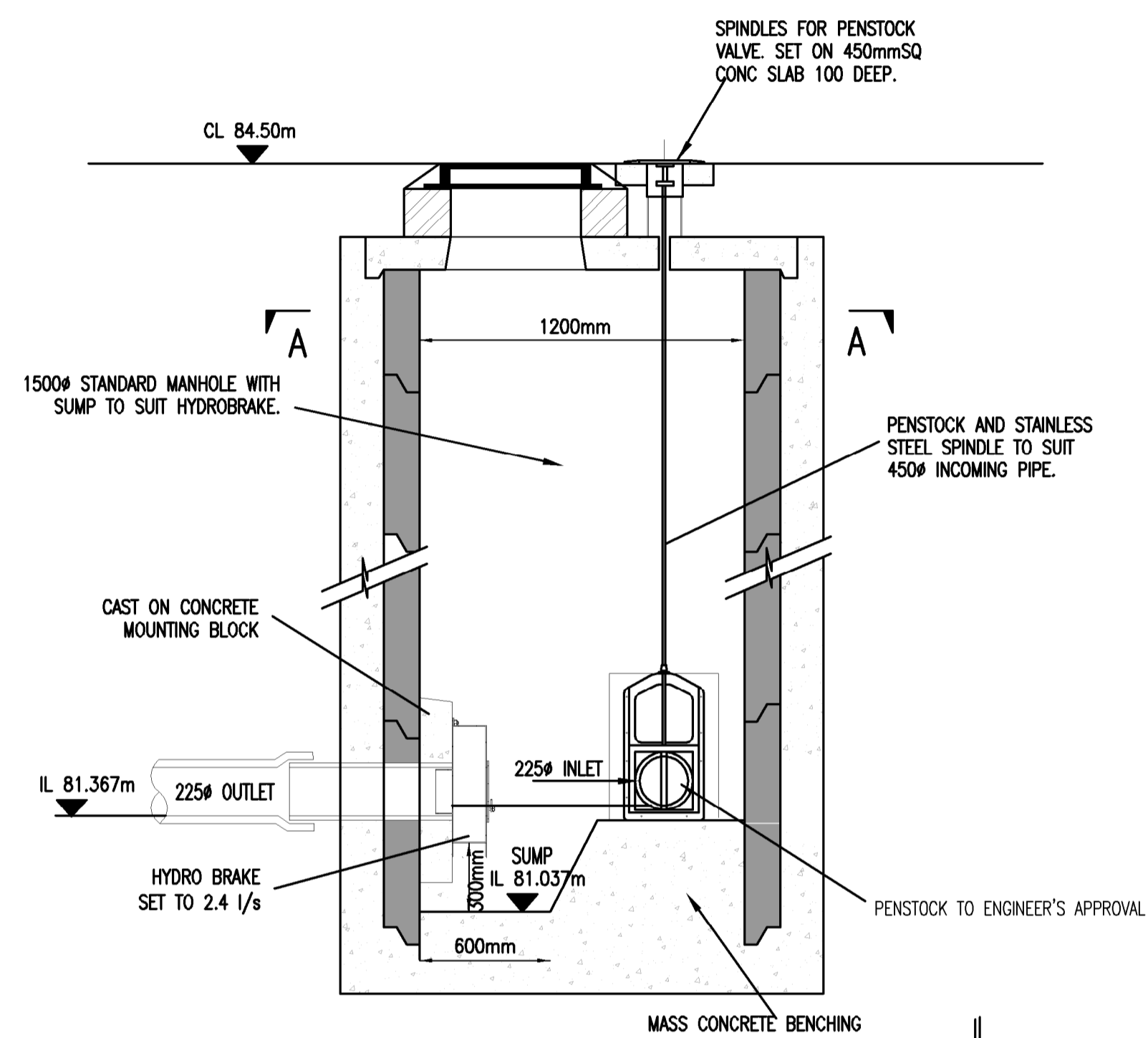
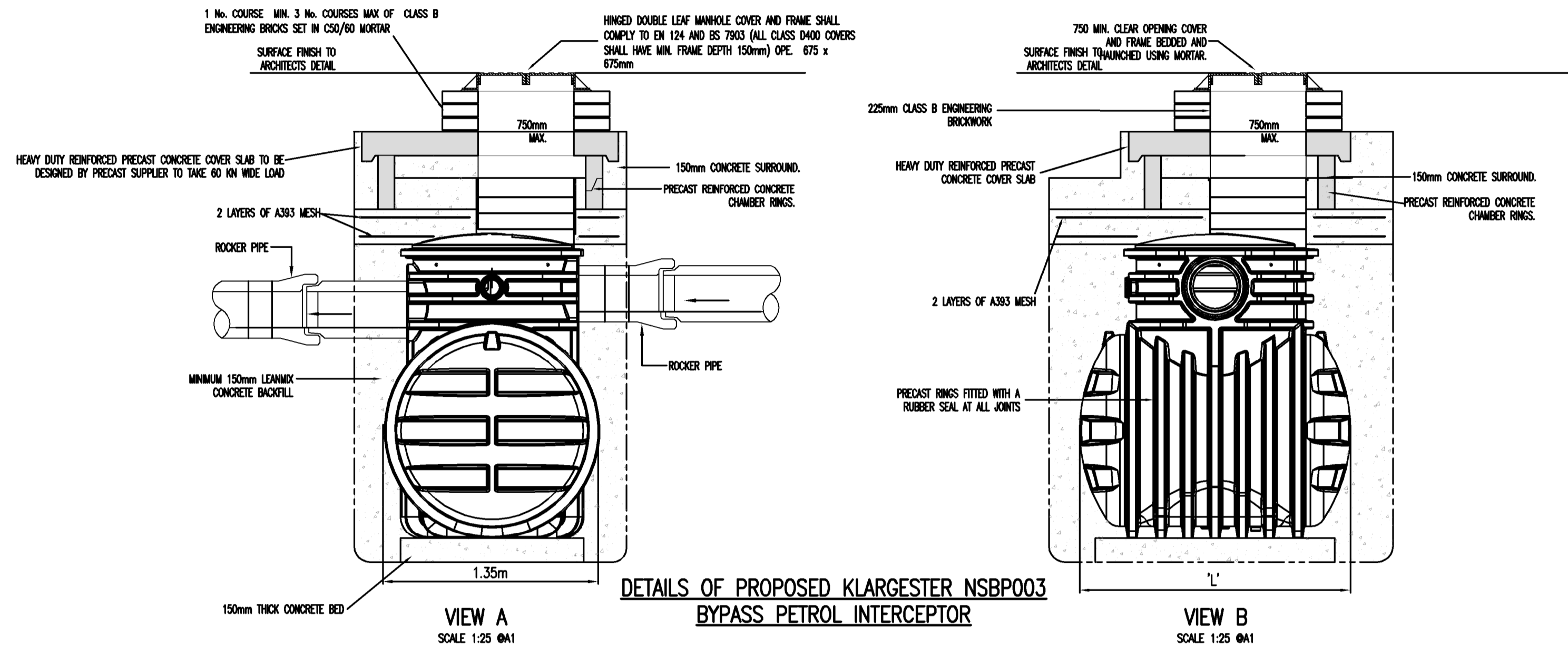
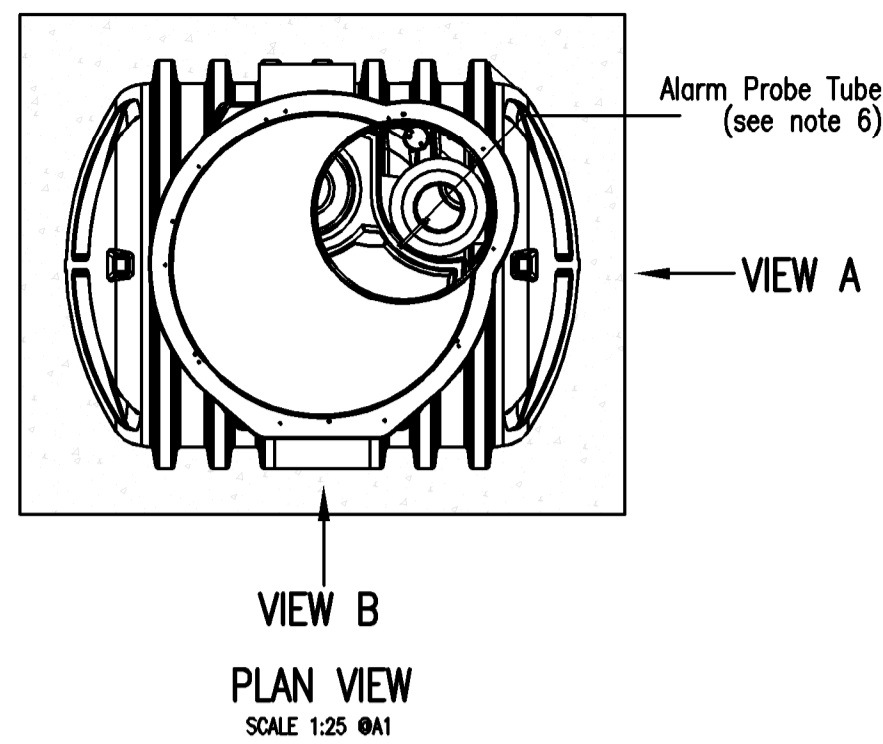


Notes:-

- Inlet/Outlet pipes are plain pipe standard EN 858 states minimum connection sizes, units ordered with different sized connections are not fully compliant with the standard.
- Extension necks for deeper inverts can be provided. These can be cut in 200 mm sections. Max 2.0m Invert recommended. Please ask our sales department for further details.
- All units require appropriate cover and frame to suit applied loadings.
- This drawing should be used for dimensional information only. It is essential that this drawing is read in conjunction with the installation guidelines from the supplier. 76 mm tube (internal) is supplied to house an oil alarm probe.
- Wet site conditions - Concrete Backfill Dry site conditions - Pea Shingle Backfill
- A # 76 mm tube (internal) is supplied to house an oil alarm probe.

Outlet Size 'B'	Inlet Size 'A'	Fall across unit	Approx Empty Weight (kgs)	Dim L (mm)	Nominal Flow	Unit Ref No
Ø300 mm	Ø300 mm	100	180	1700	3 L/s	NSBP003



REV.	DATE	AMENDMENT	DRN	APPD

STATUS **FOR PLANNING ONLY**  
**NOT FOR CONSTRUCTION**

**Waterman Moylan**  
Engineering Consultants

BLOCK 8, EASTPOINT BUSINESS PARK, ALFIE BYRNE ROAD,  
DUBLIN D03 K7W7 IRELAND.  
Tel: (01) 664 8900 Fax: (01) 661 3618  
Email: info@waterman-moylan.ie www.waterman-moylan.ie

CLIENT **ATLAS GP LIMITED**

ARCHITECT **MC CAULEY DAYE O'CONNELL**

PROJECT **CARMANHALL ROAD SHD 2022**

TITLE **HYDROBRAKE AND PETROL INTERCEPTOR DETAILS**

DRAWN	DESIGNED	APPROVED	DATE
G.Byrne	BMC	JG	AUG. '22
SCALE	JOB NO.	DRG. NO.	REVISION
AS SHOWN @A1	21-118	P236	